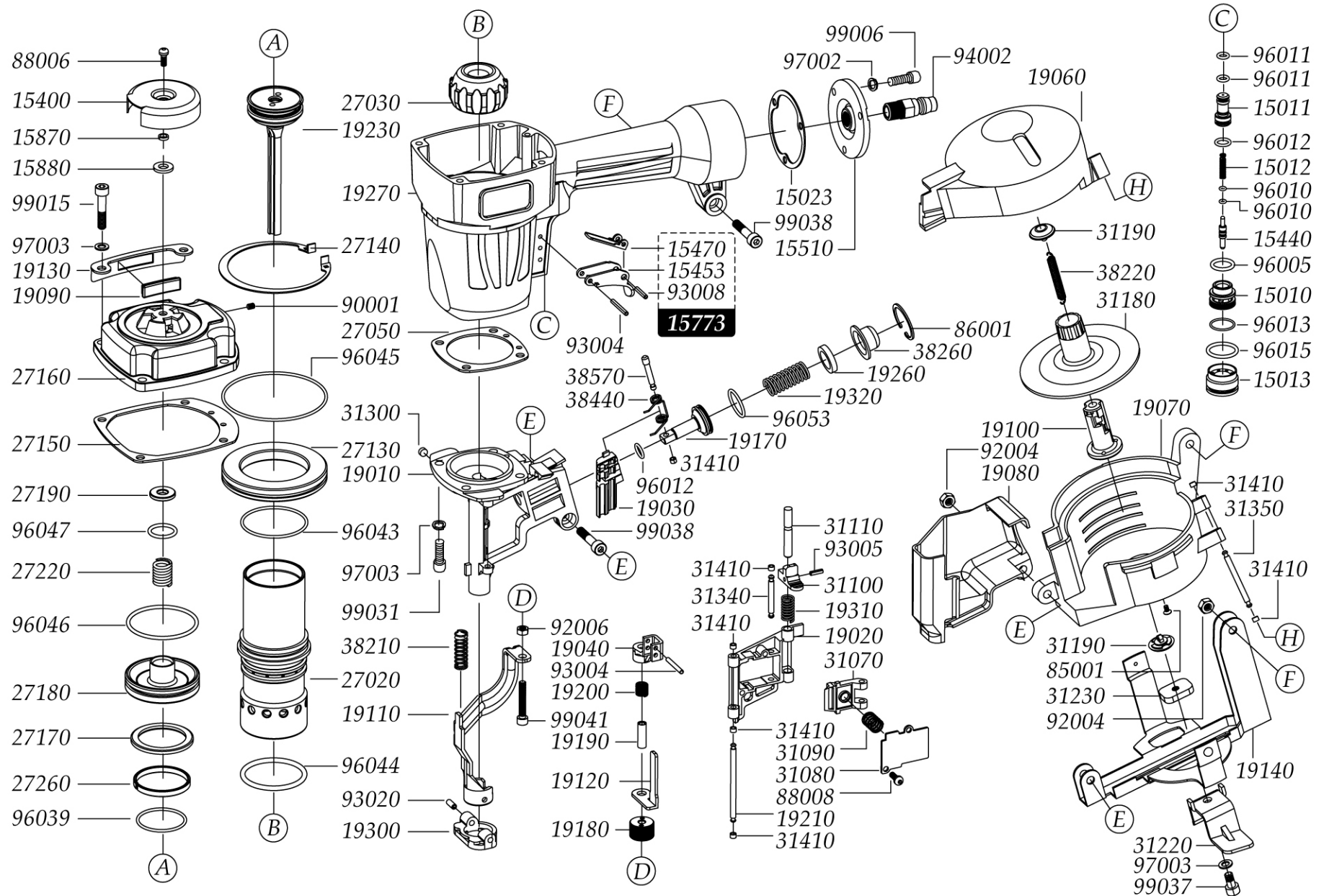


Grex CR50

2" Length Coil Roofing Nailer

EXPLODED DIAGRAM



Grex CR50

2" Length Coil Roofing Nailer

PARTS LIST

Part No.	Description
15010	Trigger Valve Head
15011	Trigger Valve
15012	Spring
15013	Trigger Valve Guide
15023	Inlet Cap Gasket
15400	Deflector
15440	Trigger Valve Stem
15453	Primary Trigger
15470	Secondary Trigger
15510	End Cap
15773	Standard Trigger Assembly
15870	Seal
15880	Seal
19010	Nose Piece
19020	Door
19030	Feed Pawl
19040	Safety Guide
19060	Magazine Cover
19070	Magazine
19080	Nose Cover
19090	Body Guard Pad
19100	Adjust Post
19110	Safety
19120	Safety B
19130	Body Guard
19140	Magazine Guide
19170	Feed Piston
19180	Adjust Wheel
19190	Spring B Sleeve
19200	Safety B Spring
19210	Door Pin
19230	Piston Ram Assembly
19260	Feed Piston Seal
19270	Gun Body
19300	Safety A
19310	Guide Lock Spring
19320	Feed Piston Spring
27020	Cylinder
27030	Bumper
27050	Bottom Gasket
27130	Cylinder Spacer
27140	C-Ring
27150	Cap Gasket
27160	Cap
27170	Collar
27180	Head Valve Piston
27190	Seal
27220	Spring
27260	Piston O-Ring
31070	Retainer

Part No.	Description
31080	Door Cover
31090	Retainer Spring
31100	Guide Lock
31110	Button
31180	Plate
31190	Cover
31220	Guide
31230	Plate
31300	Magnet
31340	Pin
31350	Pin
31410	Retainer
38210	Safety A Spring
38220	Nail Plate Spring
38260	Feed Piston Cover
38440	Feed Pawl Spring
38570	Feed Pawl Spring Pin
85001	Self Drilling Screw
86001	C-Ring
88006	Hex. Soc. Head Screw
88008	Hex. Soc. Head Screw
90001	Hex. Soc. Head Set Screw
92004	Lock Nut
92006	Lock Nut
93004	Spring Pin
93005	Spring Pin
93008	Spring Pin
93020	Spring Pin
94001	Coupling Plug
96005	O-Ring
96010	O-Ring
96011	O-Ring
96012	O-Ring
96013	O-Ring
96015	O-Ring
96042	O-Ring
96043	O-Ring
96044	O-Ring
96045	O-Ring
96046	O-Ring
96047	O-Ring
96053	O-Ring
97002	Spring Washer
97003	Spring Washer
99006	Hex. Soc. Head Screw
99015	Hex. Soc. Head Screw
99031	Hex. Soc. Head Screw
99037	Hex. Soc. Head Screw
99038	Hex. Soc. Head Screw
99041	Hex. Soc. Head Screw