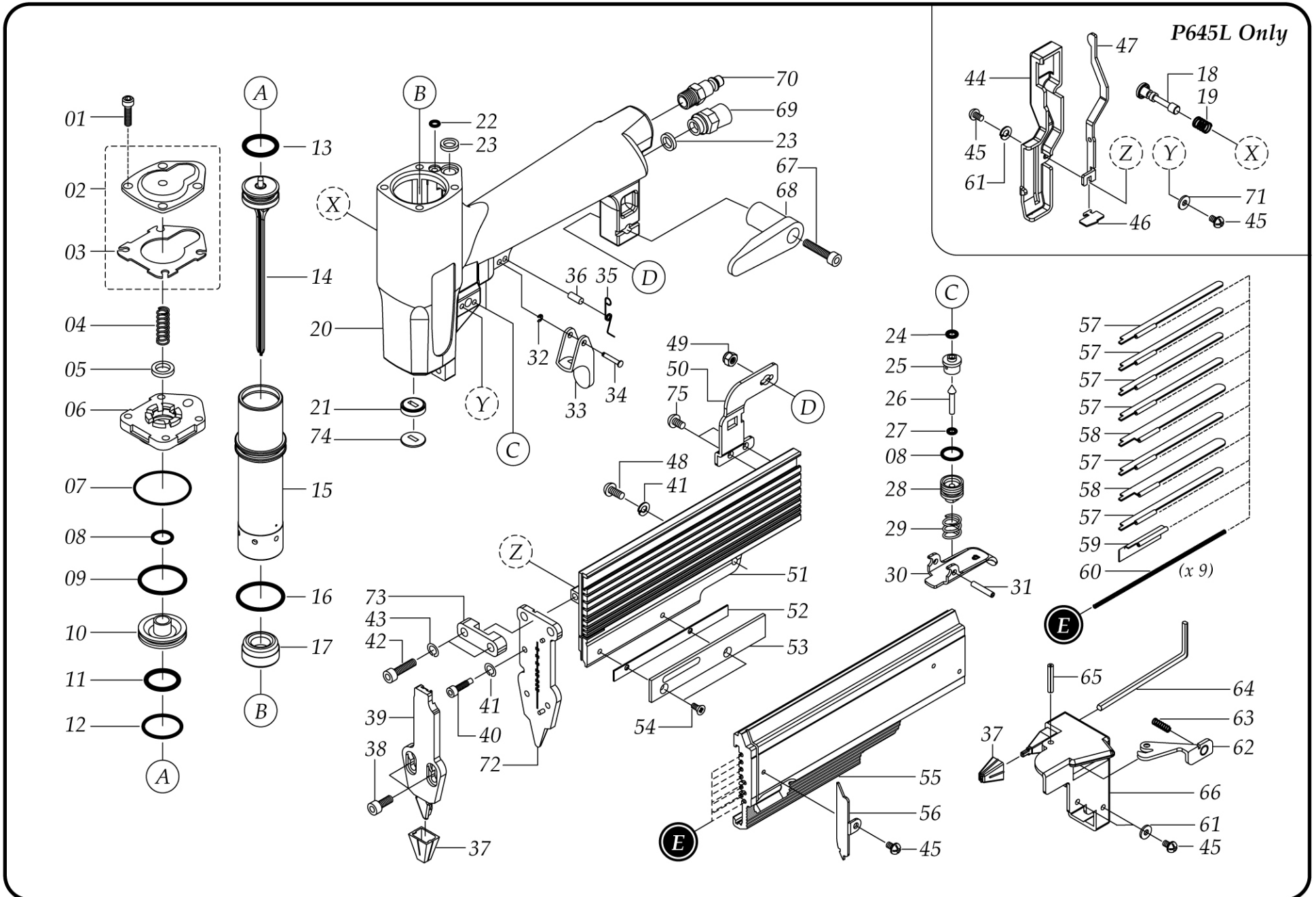


# Grex P645 & P645L

## 23 Gauge 1-3/4" Length Headless Pinner

# EXPLODED DIAGRAM



# Grex P645 & P645L

# PARTS LIST

## 23 Gauge 1-3/4" Length Headless Pinner

No.	Part No.	Description
01	99006	Hex. Soc. Head Screw
02	63500	Cap & Gasket
03	63523	Cap Gasket
04	63002	Compression Spring
05	63003	Valve Stop (Seal)
06	64501	Cylinder Cap
07	96649	O-Ring
08	96631	O-Ring
09	96601	O-Ring
10	64502	Head Valve
11	96633	O-Ring
12	96602	O-Ring
13	96603	O-Ring
14	64503	Piston Ram Assembly
15	64504	Cylinder
16	96604	O-Ring
17	64505	Bumper
18	64506	Lock-Out Release Pin <L>
19	64507	Lock-Out Pin Spring <L>
20	64508	Gun Body
21	64529	Driver Seal (Ram Guide)
22	96650	O-Ring
23	63505	Rear Exhaust Seal
24	96012	O-Ring
25	64509	Trigger Valve Seat
26	64510	Trigger Valve Stem
27	96605	O-Ring
28	64512	Trigger Valve Guide
29	64513	Trigger Spring
30	64519	Primary Trigger
31	64511	Primary Trigger Pin
32	95001	E-Ring
33	63507	Safety Trigger
34	63022	Safety Trigger Lock Pin
35	63020	Safety Trigger Spring
36	64518	Safety Trigger Spring Pin
37	63520G	No Mar Rubber Tip
38	99010	Hex. Soc. Head Screw

No.	Part No.	Description
39	64521	Nose Cover Plate A
40	99601	Hex. Soc. Head Screw
41	97001	Spring Washer
42	99008	Hex. Soc. Head Screw
43	97002	Spring Washer
44	64515	Lock-Out Cover <L>
45	88017	Hex. Soc. Head Screw
46	64517	Lock-Out Plate <L>
47	64516	Lock-Out Release Bracket <L>
48	88008	Hex. Soc. Head Screw
49	92002	Lock Nut
50	64514	Support
51	64524	Magazine
52	63512	Spacer Plate
53	64525	Railing Plate
54	99631	Hex. Soc. Flat Head Screw
55	64520	Magazine Cover
56	64523	Pusher Stop
57	63032	Pusher #1 (S)
58	63033	Pusher #2 (L)
59	63035	Pusher
60	63034	Pusher Spring
61	89003	Washer
62	63518	Magazine Latch
63	63516	Magazine Latch Spring
64	3MM	Allen Wrench
65	63519	Spring Pin
66	64526	Magazine Rear Cap
67	99022	Hex. Soc. Head Screw
68	63522	Belt Hook
69	63521	Silencer
70	94001	Coupling Plug
71	89003	Washer
72	64522	Guide Plate (Nose)
73	64527	Nose Cover Plate B
74	64528	Driver Seal Plate
75	88005	Hex. Soc. Head Screw

<L> = For Model P645L Only