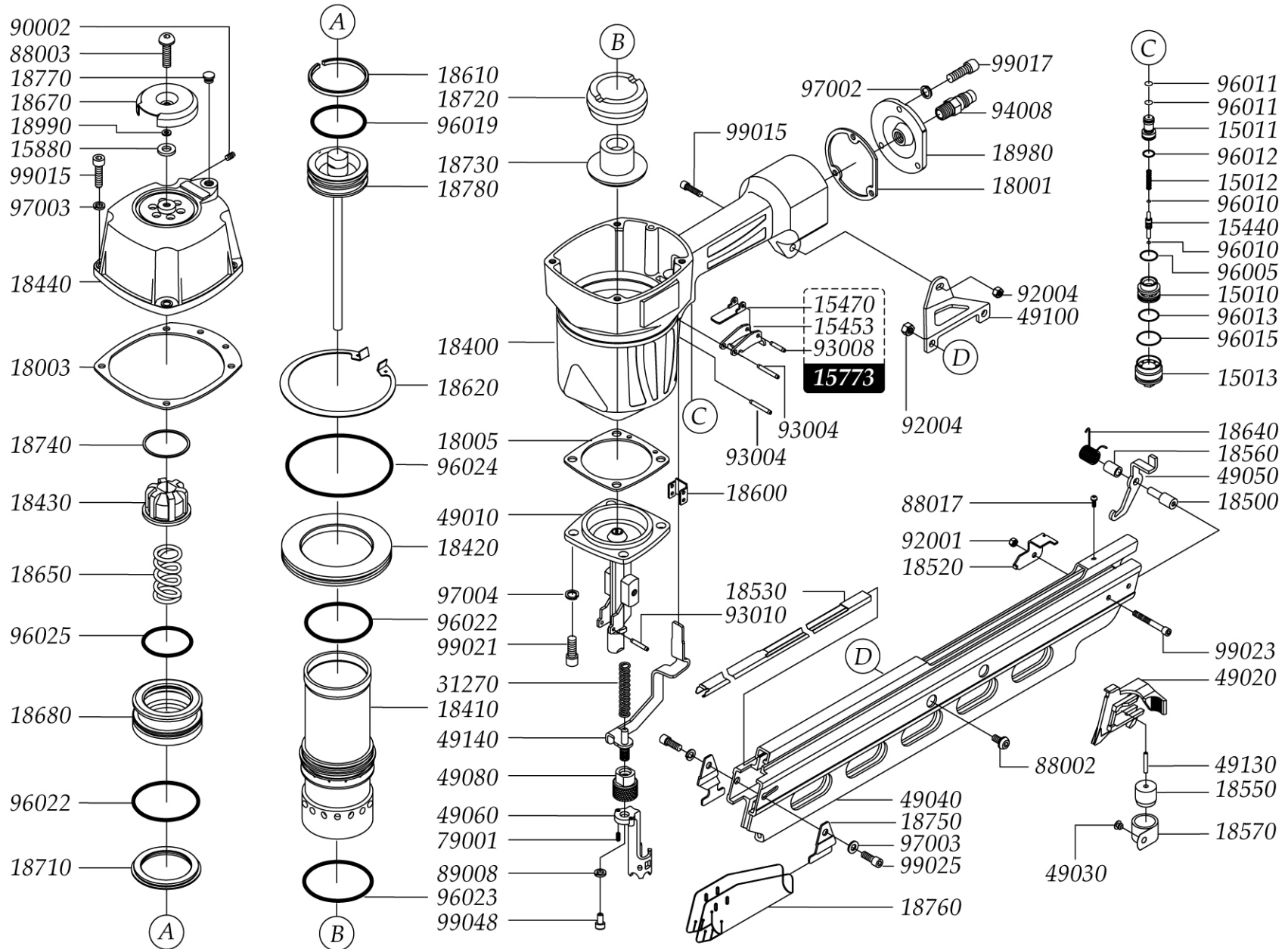


# Grex SF9021H

## 21° Full Round Head Framing Nailer

# EXPLODED DIAGRAM



# Grex SF9021H

# PARTS LIST

## 21° Full Round Head Framing Nailer

Part No.	Description
15010	Trigger Valve Head
15011	Trigger Valve
15012	Spring
15013	Trigger Valve Guide
15440	Trigger Valve Stem
15453	Primary Trigger
15470	Secondary Trigger
15773	Standard Trigger Assembly
15880	Seal
18001	Inlet Cap Gasket
18003	Cap Gasket
18005	Bottom Gasket
18401	Gun Body
18410	Cylinder
18420	Cylinder Spacer
18430	Seal
18440	Cap
18500	Magazine Spacer
18520	Latch Plate
18530	Steel Channel
18550	Rolling Element
18560	Latch Spring Bushing
18570	Roller Spring
18600	Safety Guide
18610	Piston O-Ring
18620	C-Ring
18640	Latch Spring
18650	Spring
18670	Deflector
18680	Head Valve Piston
18710	Collar
18720	Bumper A
18730	Bumper
18740	Ring
18750	Debris Cover
18760	Debris Shield
18770	Dust Cover
18780	Piston Ram Assembly
18980	End Cap (18450)
18990	Seal
31270	Spring
49010	Nose Piece

Part No.	Description
49020	Pusher
49030	Button
49040	Magazine
49050	Latch
49060	Safety A
49080	Adjust Wheel
49100	Latch Bracket
49130	Roll Pin
49140	Safety B
79001	Spring Loaded Ball Plunger
88002	Hex. Soc. Head Screw
88003	Hex. Soc. Head Screw
88017	Hex. Soc. Head Screw
89008	Washer
90002	Hex. Soc. Head Set Screw
92001	Lock Nut
92004	Lock Nut
93004	Spring Pin
93008	Spring Pin
93010	Spring Pin
94008	Coupling Plug
96005	O-Ring
96010	O-Ring
96011	O-Ring
96012	O-Ring
96013	O-Ring
96015	O-Ring
96019	O-Ring
96022	O-Ring
96023	O-Ring
96024	O-Ring
96025	O-Ring
97002	Spring Washer
97003	Spring Washer
97004	Spring Washer
99015	Hex. Soc. Head Screw
99017	Hex. Soc. Head Screw
99021	Hex. Soc. Head Screw
99023	Hex. Soc. Head Screw
99025	Hex. Soc. Head Screw
99048	Hex. Soc. Head Screw